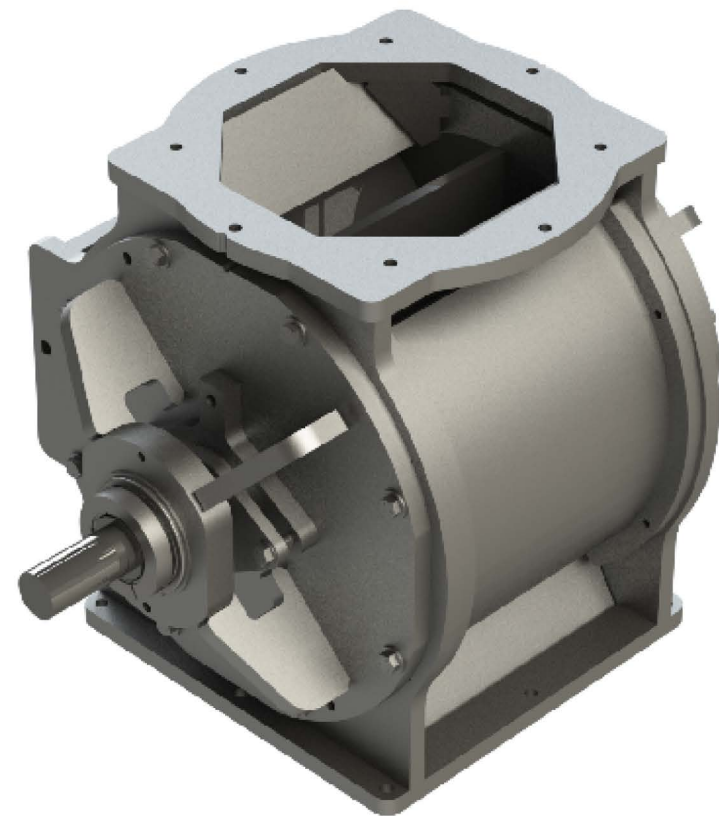


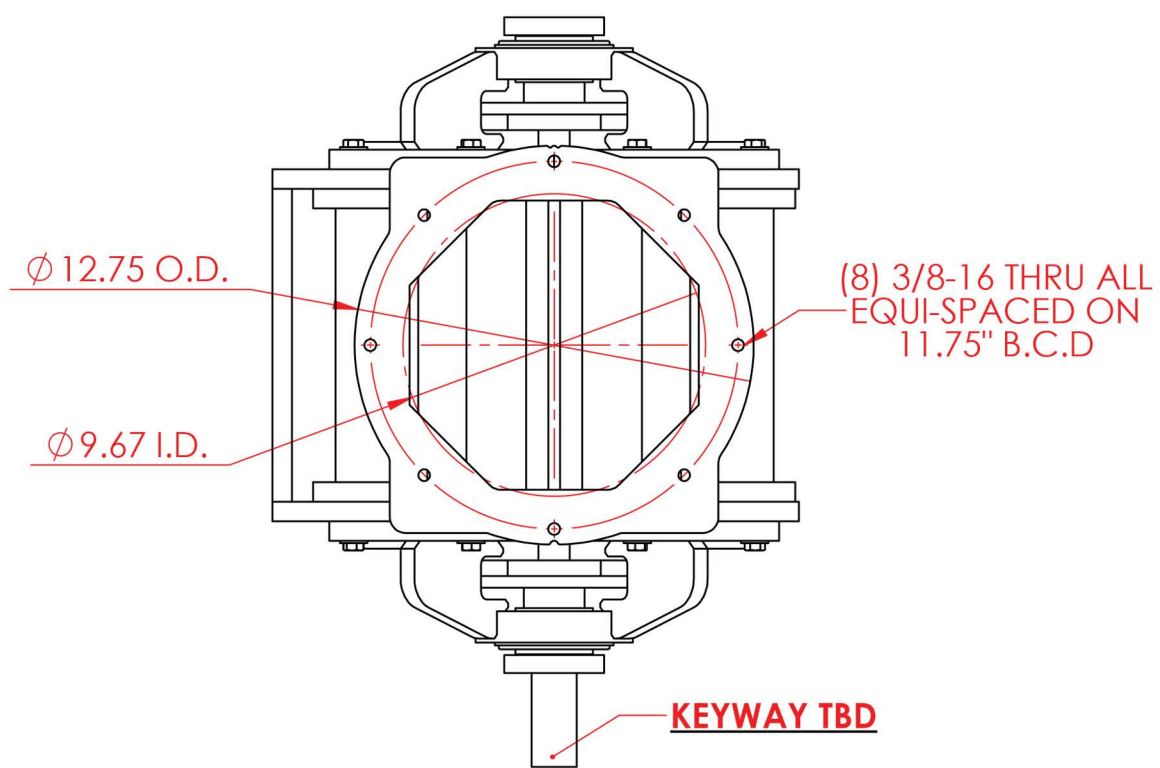
- Represented model, package, and parts are strictly for visual reference.

- Additional sizes, colors, and variations may be available.

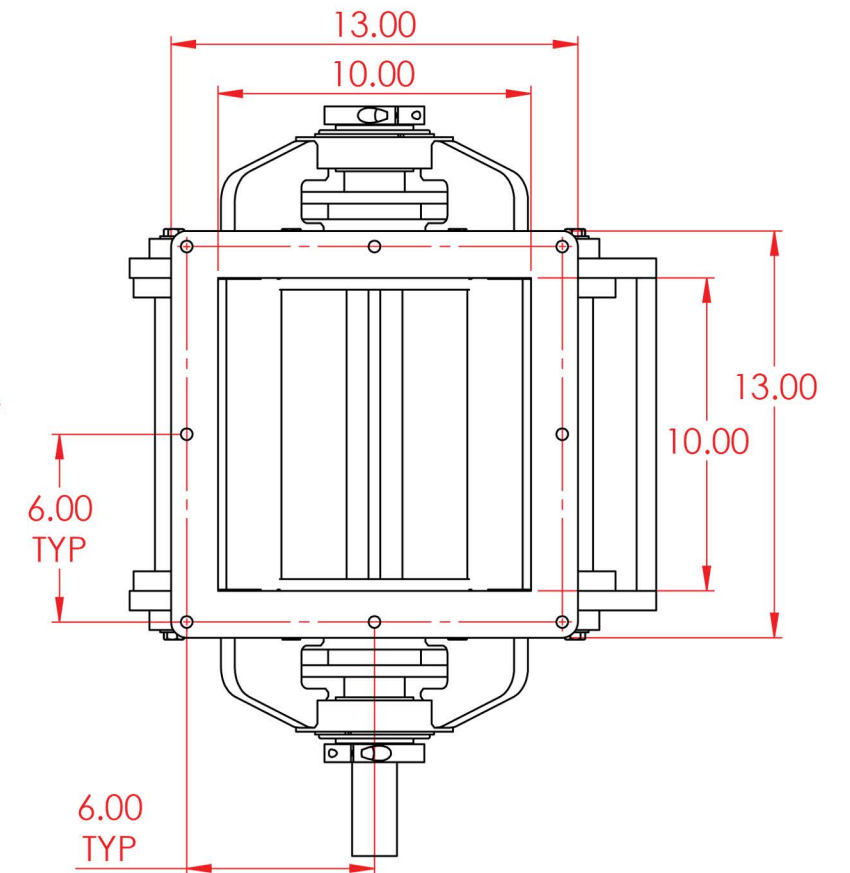
- Pricing is subject to change at any time for any reason. Pricing is shown at current amounts at time of this document's creation.



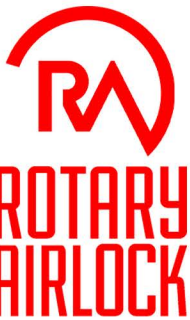
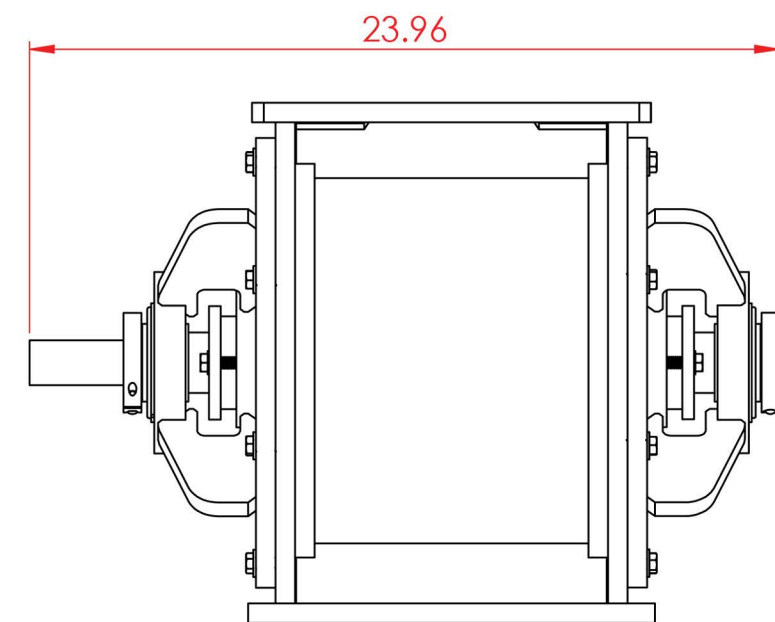
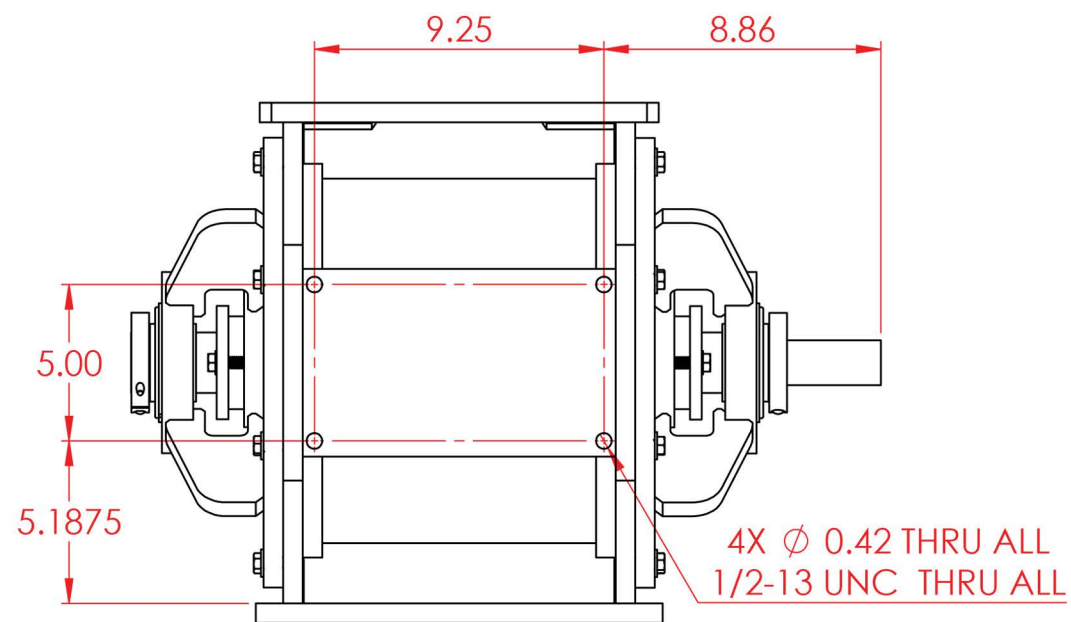
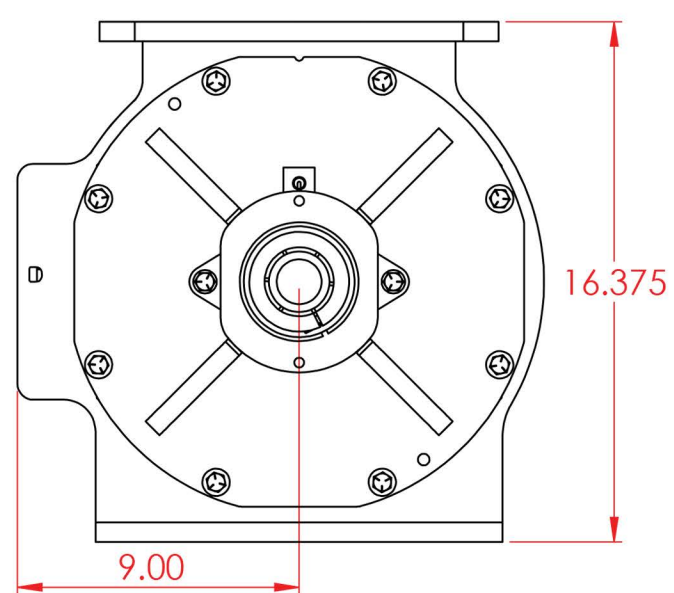
INLET VIEW



OUTLET VIEW



DRIVE VIEW



RSDO-75
12x10

FOR INFORMATIONAL PURPOSES ONLY
www.RotaryAirlock.com | (815) 626-0388
Info@RotaryAirlock.com